



ELECTROLUX OUTDOOR PRODUCTS

PNC	Type/Prefix/nd	Model	Market
964863762	1	Gaeden Vac 2500	Euro

Number of Pages 1 of 3

Factory: FLM - Aycliffe

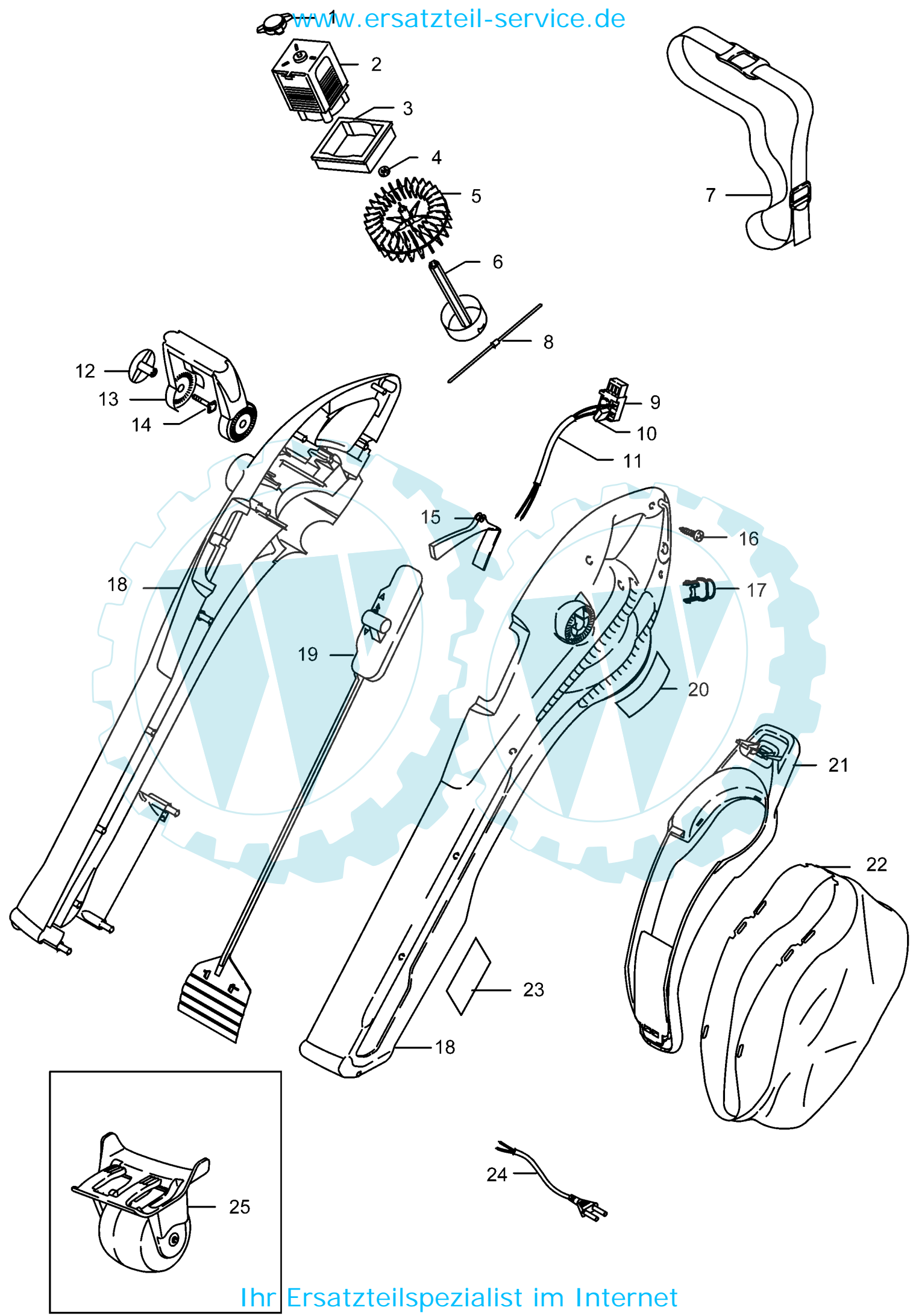
Publication Number: AP0506001

Publication Date: 23/06/04

Product Group: OM 78

Electric Wheeled

Sub Group: 7887



Page No. 3 of 3	964863762	Garden Vac 2500
OM	Blower Electric	Newton Aycliffe

Item	Part Number	Description	Qty
1	513118100	Bush	1
2	515016500	Motor	1
3	513859200	Suspension Ring	1
4	514916400	Washer	1
5	511837760	Fan	1
6	511930868	Cutting Head	1
7	513936601	Strap	1
8	513859387	Shredding Line x 5	1
9	513860900	Switch	1
10	514986600	Capacitor	1
11	513860403	Internal Lead Assembly	1
12	512757768	Wing Knob	2
13	511809968	Front Handle	1
14	514885901	Bolt	2
15	513860900	Switch Actuator	1
16	514667200	Screw	12
17	512773268	Cord Anchor	1
18	514984104	Clamshell Kit	1
19	510684968	Valve Mechanism	1
20	513117300	Warning Label	1
21	513058768	Bag Frame Assembly	1
22	510648400	Debris Bag	1
23	513121100	Model Label	1
24	514700040	Lead	1
25	513095500	Wheel	1